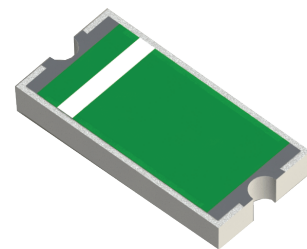


### RZC2010ZZ-XXXXJN-2S-03 Features:

- Wraparound One Extended Pad Configuration
- Solder Attachment
- Customer Defined Testing Available
- RoHS Compliant or Sn62
- Tape & Reel or Waffle Pack Available (Standard is bulk)
- 5% Resistor Tolerance



Actual Size

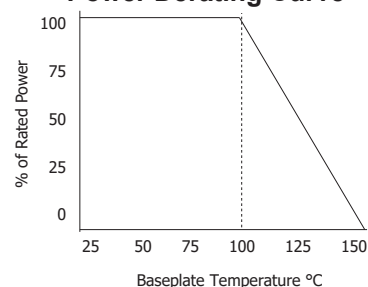
### RZC2010ZZ-XXXXJN-2S-03 Parameters:

Resistance Range:	10Ω - 1KΩ
Rated Power:	30W*
Return Loss (Typical)**:	20dB or Better
Construction:	Thick Film on AIN
Operating Temperature:	-55 to +150°C

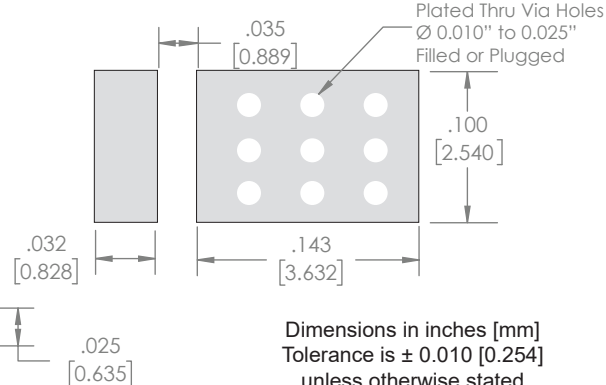
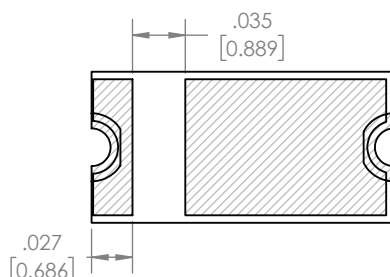
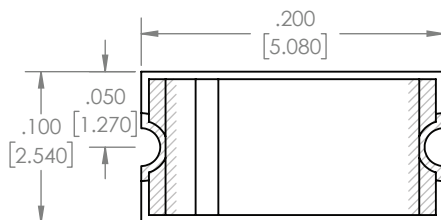
\* Rating based on ≤100°C constant baseplate temperature

\*\* Test performed on a 50Ω device in a matched, continuous 50Ω system with proper workmanship

### RZC2010ZZ-XXXXJN-2S-03 Power Derating Curve



### RZC2010ZZ-XXXXJN-2S-03 Dimensions:



Dimensions in inches [mm]  
Tolerance is ± 0.010 [0.254]  
unless otherwise stated

### Ordering Information:

RZC	2010 ZZ	-	XXXX	J	N	-	2S	-	03	UU
Prefix for Wraparound Resistor w/ One Extended Backpad & Castellations	Size 2010		Value Code 50R0 - 50Ω 1000 - 100Ω 1001 - 1KΩ	Tolerance J - 5%	Normal Inspection Contact factory for additional options		Substrate 2S - 0.025" AIN		Assigned by Factory	Packaging Blank - Bulk TR - Tape and Reel WP - Waffle Pack
Terminal Metallization					RoHS	Magnetic	Solder	Epoxy	Wirebond	
CB -	Sn62 Tin Lead over Nickel over Silver				No	Yes	Yes	No	No	
CT -	100% Matte Tin over Nickel over Silver				Yes	Yes	Yes	No	No	

Barry Industries reserves the right to change part number and/or process without notification.

## RZC2010ZZ-XXXXJN-2S-03 Reliability Specifications:

Parameter:	Test Condition:	Results:
Short Time Overload	Apply 1.1x Rated Power for 5 Seconds.	≤ 5.0% Resistance Shift
Rated Load Life	Apply 1/2 Power Under 40°C ±2°C 90 Minutes on/ 30 Minutes off. Repeat for 100 hours	≤ 5.0% Resistance Shift
Moisture Resistance	MIL-PRF-55342 para 4.8.9 95% RH, 25°C - 65°C	≤ 5.0% Resistance Shift
Resistance to Soldering Heat	MIL-STD-202 Method 210 and MIL-PRF-55342 Para 4.8.8.1	≤ 5.0% Resistance Shift
Resistance to Bonding Exposure	MIL-PRF-55342 Para 4.8.8.2	≤ 5.0% Resistance Shift
Solderability	MIL-PRF-55342 Para 4.8.12	>95% Covered
High Temperature Storage	125°C ±2°C for 500 Hours	1.) ≤ 5.0% Resistance Shift 2.) No Significant Abnormality (Visual)
Thermal Shock	-65°C to +150°C 30 Minutes Dwell, 5 Cycles	1.) ≤ 5.0% Resistance Shift 2.) No Significant Abnormality (Visual)

Barry Industries reserves the right to change part number and/or process without notification.